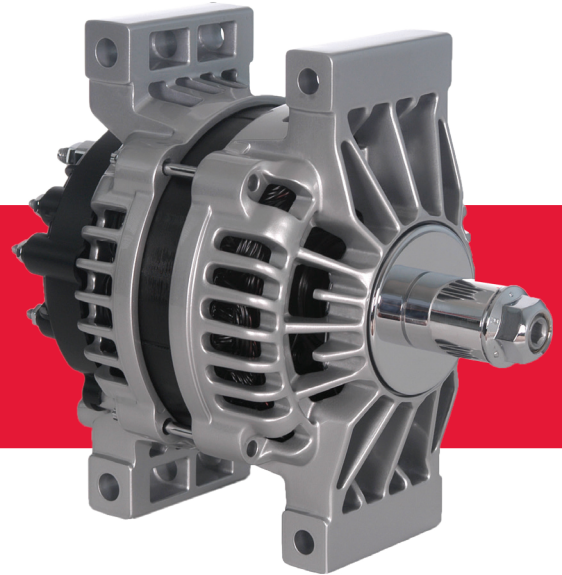




28SI™



HEAVY DUTY ALTERNATOR

FEATURES & BENEFITS

■ **Dual internal fan (DIF)** design provides maximum cooling technology

■ **OE approved**, assuring OE quality, reliability and performance for aftermarket replacements

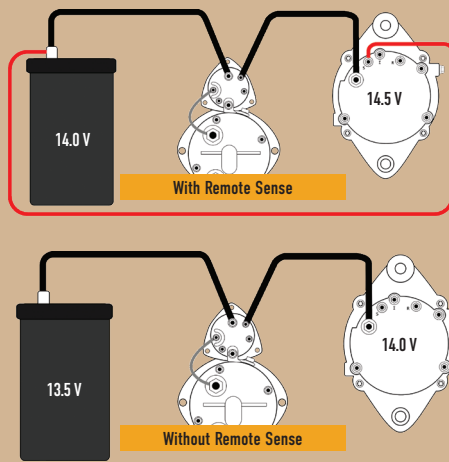
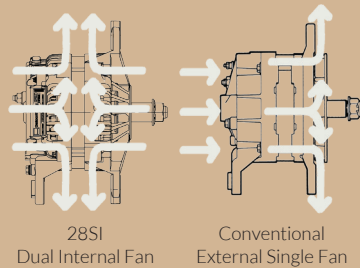
■ **Superior output** producing up to 200 Amps at road speed and 140 Amps at idle

■ **Equipped with Remote Sense** which can reduce battery charge time by 50%.

Remote Sense utilizes a second wire that reads the actual voltage at the battery. This signals

the alternator to boost its output to compensate for the voltage drop, ensuring 14 Volts at the battery. The proper voltage forces more current into the battery bringing it to a full state of charge between vehicle stops.

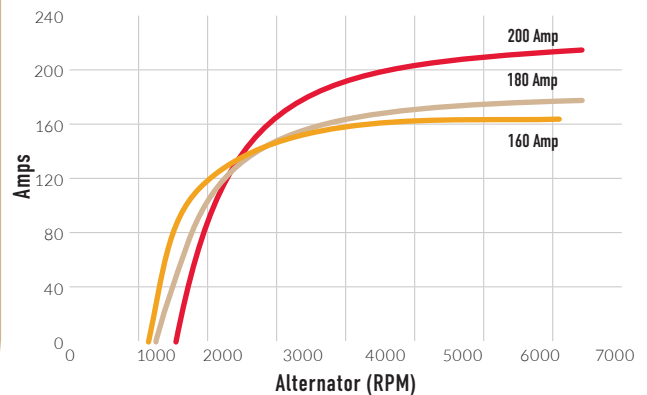
■ **Warranty:** School Bus: 2 year/unlimited miles*. All Other Vehicles: 1 year/unlimited miles* (Applicable to U.S. and Canada only)



SPECIFICATIONS

| | |
|---------------------------|---|
| Performance Output | 12 Volts 160 Amps (125 Amps at idle) 12 Volts 180 Amps (130 Amps at idle) 12 Volts 200 Amps (140 Amps at idle) 24 Volts 110 Amps |
| Rotation | Clockwise |
| Maximum Speed | 10,000 RPM Continuous 12,000 RPM Intermittent |
| Temperature Rating | 125°C/257°F |
| Mounting | J180 Short Hinge Mount J180 Long Hinge Mount Pad Mount |
| Weight | 18.7 lbs/8.5 kg |

28SI 12V POWER CURVE



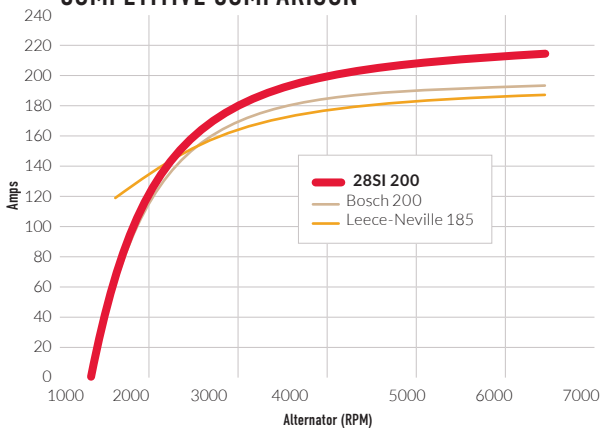
28SI HEAVY DUTY ALTERNATOR

COMPETITIVE CROSS REFERENCE

| Specs | Delco Remy 28SI 200 Amp | Leece-Neville 4800-4900 Series 185 Amp | Bosch AL9943SB 200 Amp |
|-------------------|----------------------------|--|------------------------------|
| Weight | 18.7lbs/8.5kg | 33lbs/15kg | 18.3lbs/8.3kg |
| Length | 216 mm | 275 mm | 207 mm |
| Overall Diameter | 154 mm | 168 mm | 156 mm |
| Stator Diameter | 144 mm | 168 mm | 145 mm |
| Fan Type | Dual Internal | Single External | Dual Internal |
| Remote Sense | Yes | No | No |
| Output @ 2000 rpm | 140 amps | 140 amps | 115 amps |
| Output @ 6000 rpm | 212 amps | 188 amps | 200 amps |
| Peak Efficiency | 68% | 60% | 68% |
| DE Bearing Size | 62 mm | 62 mm | 52 mm |
| Temp. Rating °C | 125 | 110 | 125* |

* Bosch model regulator will shut down completely before 125° resulting in no alternator output at this temperature

COMPETITIVE COMPARISON



COMPETITIVE INTERCHANGE

| Mounting | Voltage | Regulator Type | OE Part # | All Makes Part # | Reman Part # | Output (Amps) | Competitive Cross References | | |
|-------------------|-----------|----------------|-----------|------------------|--------------|---------------|--|-----|--|
| Pad | 12V | Term Stud | 8600422 | 8600315 | | 160 | AL9961LH | | |
| | | | 8600524 | | | | | | |
| | | | 8600560 | | | | | | |
| | | Plug Type | 8600645 | 8600201 | 8700080 | 160 | | | |
| | | | 8600771 | | | | | | |
| | | | 8600772 | | | | | | |
| | | Term Stud | 8600316 | 8600078 | | 180 | 8LHP2276V, 110-775P | | |
| | | | 8600774 | | | | | | |
| | | | 8600775 | | | | | | |
| | | Plug Type | 8600776 | 8600253 | 8700082 | 200 | | | |
| 8600417 | 8600314 | | 8700088 | | | | | 200 | 4939AAH, 4939PGH, 4940PA, 4943PGH, 4945AAH, 4948PA, 4951PGH, A0014939AAH, A0014939PGH, A0014940PA, A0014943PGH, A0014945AAH, A0014948PA, A0014951PGH, AL9962SB |
| 8600815 | | | | | | | | | |
| 24V | | Plug Type | | 8600621 | 8600690 | | 100 | | |
| | Term Stud | 8600423 | 8600469 | | 110 | | | | |
| J-180 Short Hinge | 12V | Term Stud | 8600312 | | | 160 | AL9960LH | | |
| | | | 8600424 | | | 160 | | | |
| | | | 8600454 | 8600223 | | 180 | | | |
| | 24V | Term Stud | 8600814 | 8600313 | 8700087 | 200 | AL9963SB | | |
| | | | 8600466 | 8600426 | | 200 | | | |
| | | | 8600467 | | | 110 | | | |
| J-180 Long Hinge | 12V | Term Stud | 8600308 | | | 160 | 2800LC, 2801LC, 2802LC, 2824LC, 2825LC, 2828LC, 2913LC, A0012800LC, A0012802LC, A0012824LC, A0012825LC, A0012828LC, A0012913LC, A002801LC | | |
| | | | 8600311 | | | 180 | 110-775, 2800LC, 2801LC, 2802LC, 2824LC, 2825LC, 2828LC, 2913LC, 8LHA2275V, A0012800LC, A0012802LC, A0012824LC, A0012825LC, A0012828LC, A0012913LC, A002801LC | | |
| | 24V | Term Stud | 8600307 | 8700083 | | 200 | 2331GH, 2333GH, 4836AAH, 4836LGH, 4846AAH, 4850AA, 4860AA, 4860JB, 4861JB, 4863JB, 4868JGH, 4884JB, A0014836AAH, A0014836LGH, A0014846AAH, A0014850AA, A0014860AA, A0014860JB, A0014863JB, A0014868JGH, A0014884JB, BLD2333GH, BLD2331GH | | |
| | | | 8600468 | | | 110 | | | |
| | | | | | | | | | |



For Customer Service or
Technical Assistance call 800-372-0222

01 | 2024

DELCOREMY.COM